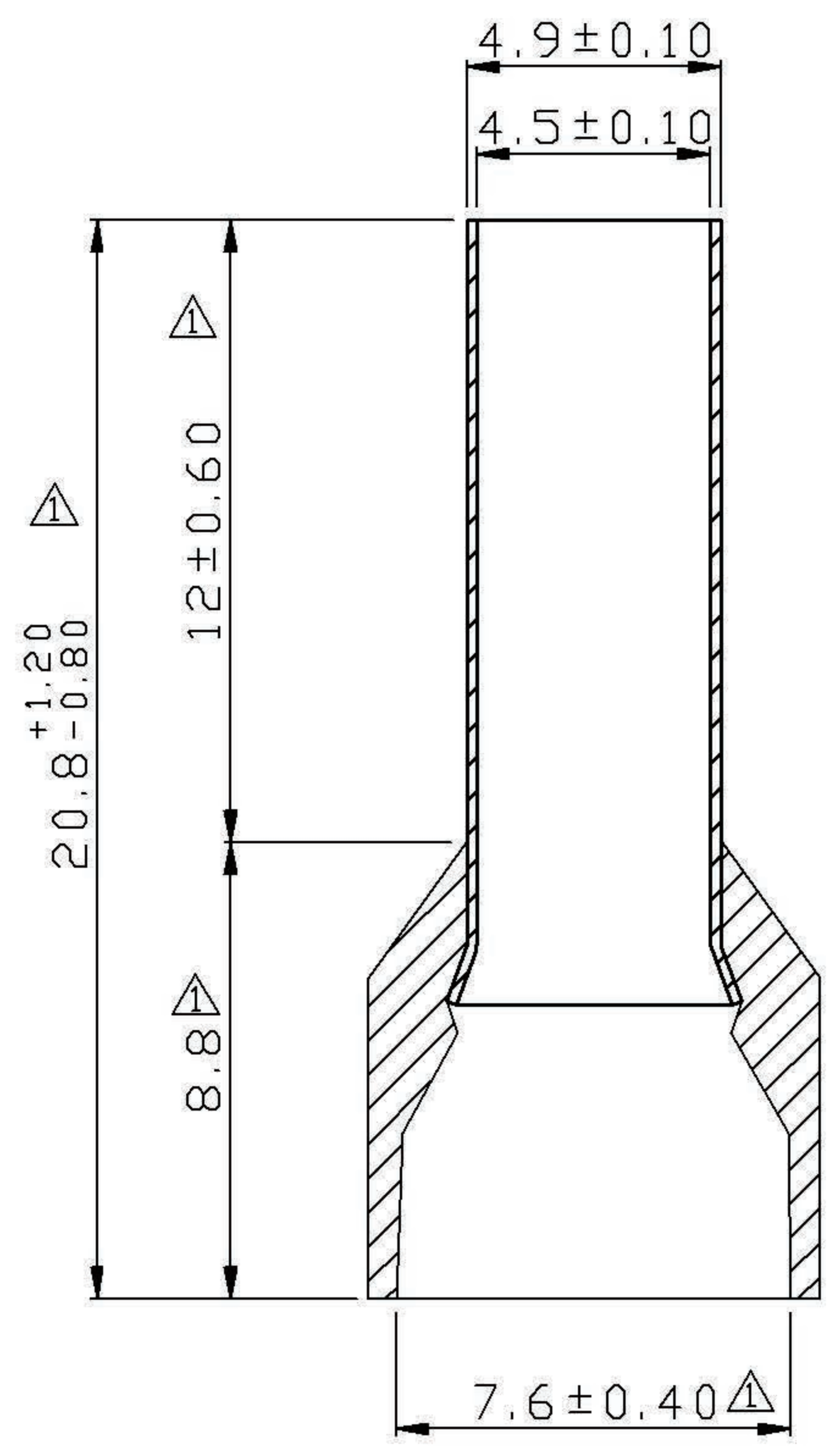
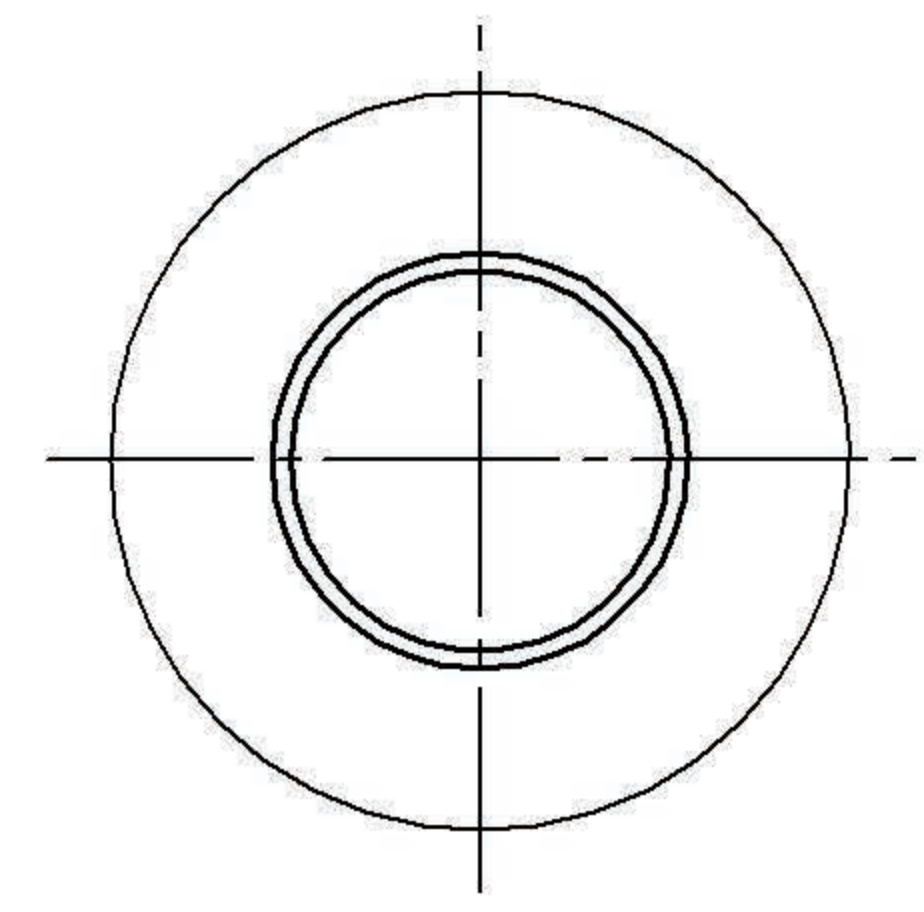


REV	DESCRIPTION	DATE
-----	-------------	------

△ RDK-97163

張馨尹 2008/09/04



NOTE:

1. MAXIMUM ELECTRIC CURRENT : 

A.W.G.	8
AMP.	70
2. MAXIMUM ELECTRICAL RATING : 105°C 600 VOLTS MAX.
3. INSULATION MATERIAL : NYLON
4. INSULATION COLOR :  
FRENCH COLOR : BROWN  
GERMAN COLOR : IVORY  
DIN COLOR : RED
5. CONNECTOR MATERIAL : COPPER TUBE.
6. WIRE RANGE : 8 A.W.G.( 10 mm<sup>2</sup>)
7. CONNECTOR SURFACE TREATMENT : TIN PLATED



**Penzel**