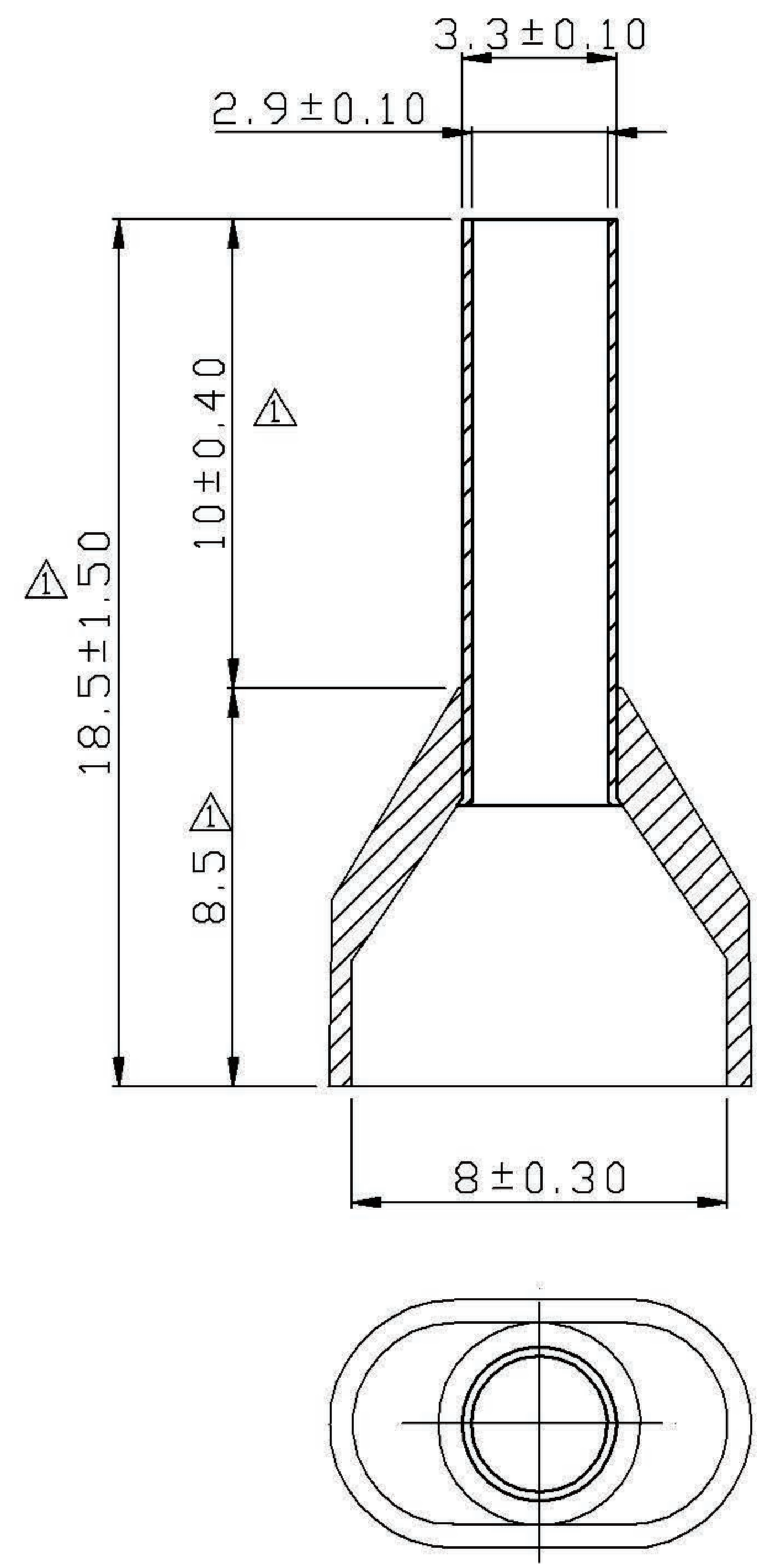


| REV | DESCRIPTION | DATE |
|-----|-------------|------|
|-----|-------------|------|

△ RDK-97163

張馨尹 2008/08/25



NOTE:

1. MAXIMUM ELECTRIC CURRENT : 

|        |    |
|--------|----|
| A.W.G. | 14 |
| AMP.   | 30 |
2. MAXIMUM ELECTRICAL RATING : 105°C 600 VOLTS MAX.
3. INSULATION MATERIAL : NYLON
4. INSULATION COLOR :  
 FRENCH COLOR : GREY  
 GERMAN COLOR : BLUE  
 DIN COLOR : BLUE
5. CONNECTOR MATERIAL : COPPER TUBE.
6. WIRE RANGE : 2\*14 A.W.G.( 2\*2.5 mm<sup>2</sup>)
7. CONNECTOR SURFACE TREATMENT : TIN PLATED



**Penzel**