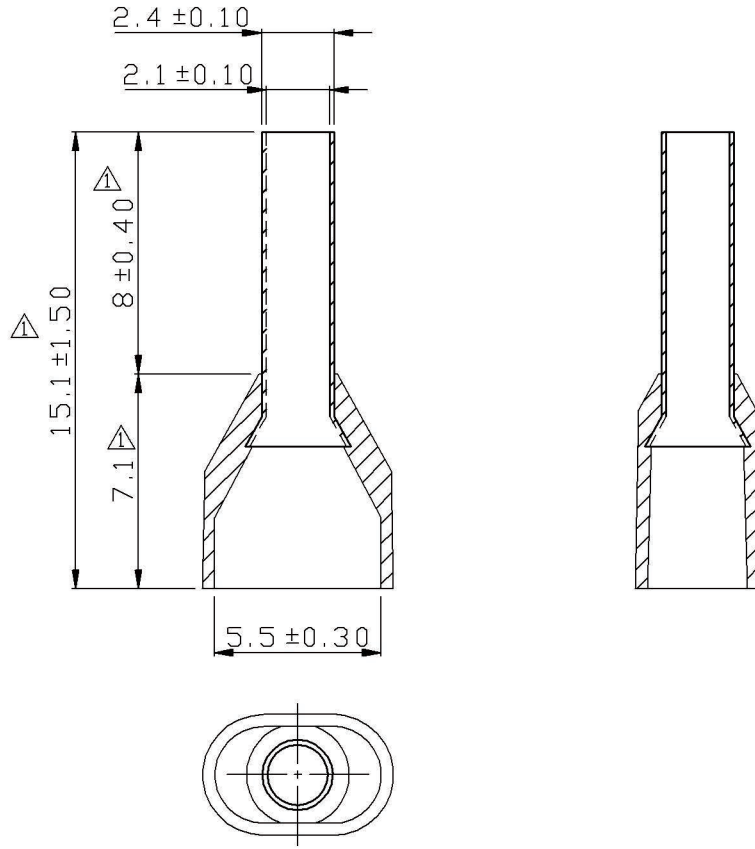


REV	DESCRIPTION	DATE
△	RDK-97163	張馨尹 2008/08/25
△	RDE-100163	張馨尹 2011/11/07



- NOTE:
1. MAXIMUM ELECTRIC CURRENT :

A.W.G.	18
AMP.	17
 2. MAXIMUM ELECTRICAL RATING : 105°C 600 VOLTS MAX.
 3. INSULATION MATERIAL : NYLON
 4. INSULATION COLOR :
 FRENCH COLOR : RED ,

△	ORANGE
---	--------

 GERMAN COLOR : YELLOW
 DIN COLOR : RED
 5. CONNECTOR MATERIAL : COPPER TUBE.
 6. WIRE RANGE : 2*18 A.W.G.(2*1.0 mm²)
 7. CONNECTOR SURFACE TREATMENT : TIN PLATED

