

Solid State Relays Industrial, 1-Phase ZS w. LED Type RS 25E, RS 40E



- Zero switching AC Solid State Relay
- LED indication
- Clip-on IP 20 protection cover
- Self-lifting terminals
- Housing free of moulding mass
- AC or DC control
- Operational ratings Up to 40 AACrms and 480 VAC
- Blocking voltage: Up to 800 V_p
- Opto-insulation: > 4000 VACrms
- Built-in varistor



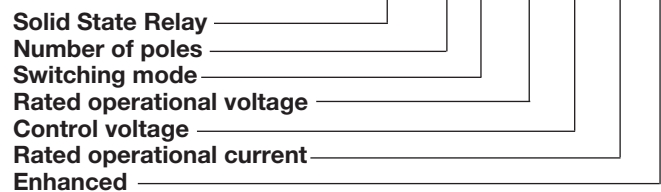
Product Description

The zero switching relay with triac output is an inexpensive solution for resistive loads. The zero switching relay switches ON when the sinusoidal voltage crosses zero and switches OFF when

the current crosses zero. The LED indicates the status of the control input. The clip-on cover is securing touch protection to IP 20.

Ordering Key

RS 1 A 40 D 25 E



Type Selection

Switching mode	Rated operational voltage	Rated operational current	Control voltage
A: Zero Switching	40: 400 VACrms 48: 480 VACrms	25: 25 AACrms 40: 40 AACrms	D: 3 to 32 VDC A: 80 to 250 VAC

Housing Specifications

Weight	Approx. 100 g
Housing material	Noryl GFN 1, black
Baseplate	Aluminium
Potting compound	None
Relay	
Mounting screws	M5
Mounting torque	1.5-2.0 Nm
Control terminal	
Mounting screws	M3 x 9
Mounting torque	0.5 Nm
Power terminal	
Mounting screws	M5 x 9
Mounting torque	2.4 Nm

Isolation

Rated isolation voltage	
Input to output	≥ 4000 VACrms
Input to case	≥ 4000 VACrms
Output to case	≥ 2500 VACrms

Thermal Specifications

Operating temperature	-20° to 70°C
Storage temperature	-40° to 100°C
Relative Humidity	< 95% non-condensing

Selection Guide

Rated operational voltage	Blocking voltage	Control voltage	Rated operational current	
			25 A	40 A
400 VACrms	600 V _p	3 - 32 VDC	RS1A40D25E	RS1A40D40E
		80-250 VAC/DC	RS1A40A25E	RS1A40A40E
480 VACrms	800 V _p	3 - 32 VDC	RS1A48D25E	RS1A48D40E
		80-250 VAC/DC	RS1A48A25E	RS1A48A40E

General Specifications

	RS1A40...E	RS1A48...E
Operational voltage range	24 - 440 VACrms	24 - 528 VACrms
Blocking voltage	600 V _p	800 V _p
Zero voltage turn-on	≤ 15 V	≤ 15 V
Operational frequency range	45 to 65 Hz	45 to 65 Hz
Power factor	> 0.95 @ 400 VACrms	> 0.95 @ 480 VACrms
CE-Marking	Yes	Yes
Approvals	UR, cUR, EAC	UR, cUR, EAC
Pollution degree	2	2

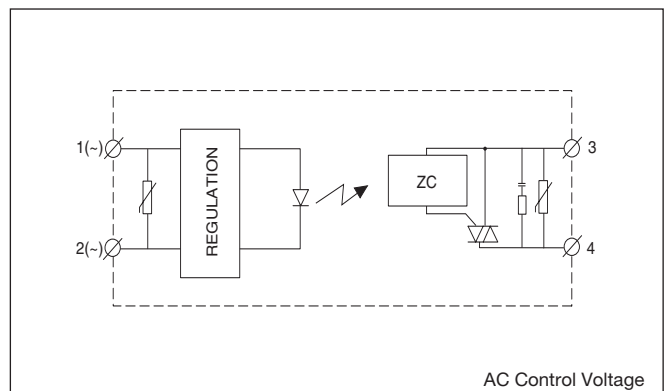
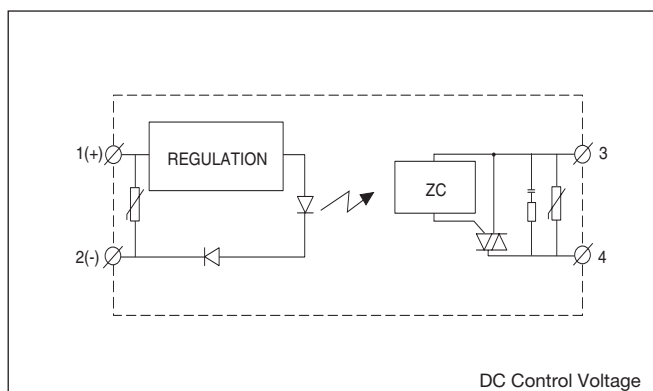
Input Specifications

	RS1A..D..E	RS1A..A..E
Control voltage	3 - 32 VDC	80 - 250 VAC
Pick-up voltage	3 VDC	70 VAC
Reverse voltage	≤ 32 VDC	-
Drop out voltage	1.2 VDC	15 VAC
Input Current @ max input voltage	≤ 13 mA	≤ 10 mA
Response time pick up	≤ 1/2 cycle	≤ 1 cycle
Response time drop-out	≤ 1/2 cycle	≤ 2 cycle

Output Specifications

	RS1A...25E	RS1A...40E
Rated operational current AC51 @ Ta=25°C	25 Arms	40 Arms
Min. operational current	250 mArms	400 mArms
Non-rep. surge current t=20 ms	175 A _p	280 A _p
Off-state leakage current @ rated voltage and frequency	< 2 mArms	< 2 mArms
I ² t for fusing t=10 ms	≤ 215 A ² s	≤ 560A ² s
On-state voltage drop @ rated current	≤ 1.6 Vrms	≤ 1.6 Vrms
Critical dV/dt off-state	≥ 1000 V/μs	≥ 1000 V/μs

Functional Diagram



Heatsink Dimensions (load current versus ambient temperature)

RS..25E

Load current [A]	Thermal resistance [K/W]						Power dissipation [W]
	20	30	40	50	60	70	
25.0	1.02	0.70	0.37	0.05	-	-	31
22.5	1.39	1.04	0.68	0.32	-	-	27.9
20.0	1.86	1.46	1.06	0.65	0.25	-	24.8
17.5	2.47	2.00	1.54	1.08	0.62	0.16	21.7
15.0	3.27	2.73	2.19	1.66	1.12	0.58	18.6
12.5	4.39	3.75	3.10	2.46	1.18	1.17	15.5
10.0	6.08	5.28	4.47	3.66	2.86	2.05	12.4
7.5	8.89	7.82	6.74	5.67	4.59	3.50	9.3
5.0	13.7	12.0	10.4	8.82	7.20	5.59	6.2
2.5	-	-	-	17.7	14.5	11.2	3.1

T_A
Ambient temp. [°C]

RS..40E

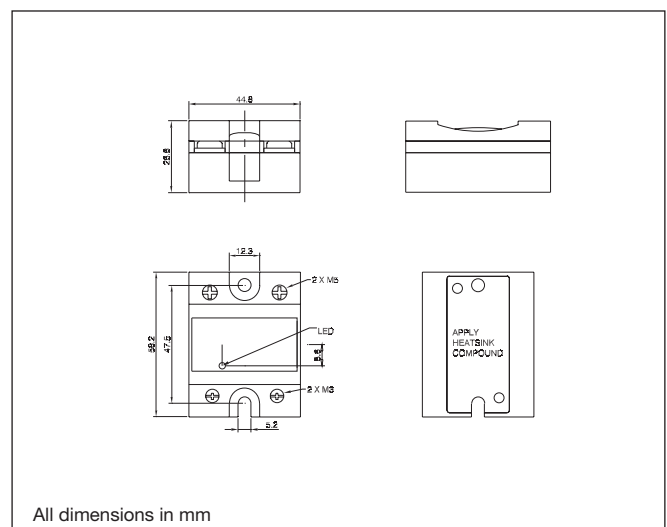
Load current [A]	Thermal resistance [K/W]						Power dissipation [W]
	20	30	40	50	60	70	
40.0	0.36	0.16	-	-	-	-	50.5
36.0	0.60	0.38	0.16	-	-	-	45.5
32.0	0.89	0.65	0.40	0.15	-	-	40.4
28.0	1.27	0.99	0.71	0.43	0.14	-	35.4
24.0	1.78	1.45	1.12	0.79	0.46	-	30.3
20.0	2.50	2.10	1.70	1.31	0.91	0.28	25.3
16.0	3.56	3.07	2.57	2.08	1.58	0.80	20.2
12.0	5.34	4.68	4.02	3.36	2.71	1.66	15.2
8.0	8.36	7.37	6.38	5.39	4.40	3.39	10.1
4.0	16.8	14.8	12.8	10.8	8.85	6.87	5.1

T_A
Ambient temp. [°C]

Heatsink Selection

Carlo Gavazzi Heatsink (see Accessories)	Thermal resistance...	...for power dissipation
No heatsink required	---	N/A
RHS 300	5.00 K/W	> 0 W
RHS 100	3.00 K/W	> 25 W
RHS 45C	2.70 K/W	> 60 W
RHS 45B	2.00 K/W	> 60 W
RHS 90A	1.35 K/W	> 60 W
RHS 45A plus fan	1.25 K/W	> 0 W
RHS 45B plus fan	1.20 K/W	> 0 W
RHS 112A	1.10 K/W	> 100 W
RHS 301	0.80 K/W	> 70 W
RHS 90A plus fan	0.45 K/W	> 0 W
RHS 112A plus fan	0.40 K/W	> 0 W
RHS 301 plus fan	0.25 K/W	> 0 W
Consult your distribution	> 0.25 K/W	N/A
Infinite heatsink - No solution	---	N/A

Dimensions



Environmental Information

The declaration in this section is prepared in compliance with People's Republic of China Electronic Industry Standard SJ/T11364-2014: Marking for the Restricted Use of Hazardous Substances in Electronic and Electrical Products.

Part Name	Toxic or Harardous Substances and Elements					
	Lead (Pb)	Mercury (Hg)	Cadmium (Cd)	Hexavalent Chromium (Cr(VI))	Polybrominated biphenyls (PBB)	Polybrominated diphenyl ethers (PBDE)
Power Unit Assembly	x	O	O	O	O	O
<p>O: Indicates that said hazardous substance contained in homogeneous materials for this part are below the limit requirement of GB/T 26572.</p> <p>X: Indicates that said hazardous substance contained in one of the homogeneous materials used for this part is above the limit requirement of GB/T 26572.</p>						

环境特性

这份申明根据中华人民共和国电子工业标准 SJ/T11364-2014：标注在电子电气产品中限定使用的有害物质

零件名称	有毒或有害物质与元素					
	铅 (Pb)	汞 (Hg)	镉 (Cd)	六价铬 (Cr(VI))	多溴化联苯 (PBB)	多溴联苯醚 (PBDE)
功率单元	x	O	O	O	O	O
<p>O:此零件所有材料中含有的该有害物低于GB/T 26572的限定。</p> <p>X: 此零件某种材料中含有的该有害物高于GB/T 26572的限定。</p>						



FASTON terminals



- Faston tabs
- Tab dimensions according to DIN 46342 part 1
- Pure tin-plated brass

Ordering Key

Screw mounted Faston terminals

RS1A48D25E F 4*

RS, RM Solid State Relay
Faston terminals
Tab orientation

Input Tab width: 4.8mm
Output Tab width: 6.3mm

Faston terminals in packs of 20

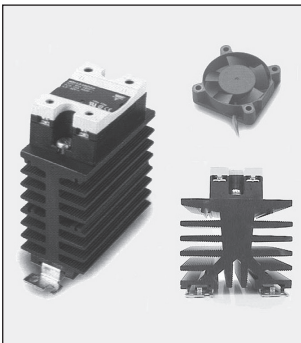
RM48 F4***

RS, RM Solid State Relay
Tab orientation

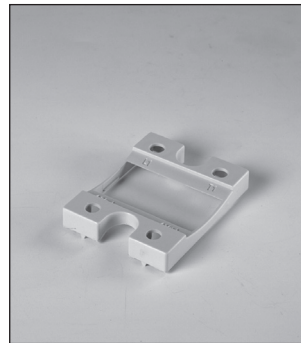
* 0: Flat (0°)
4: Angled (45°)

** 48: 4.8mm faston for input
63: 6.3mm faston for output

Other Accessories



- Heatsinks and fans
- Type RHS
- 0.25 to 5.00 k/W
- Single and dual relay types



- Touch safety cover
- Type RMIP20
- IP20 protection degree
- Pack size: 20 pieces

All accessories can be ordered pre-assembled with Solid State Relays.
Other accessories include DIN rail adaptors, fuses, varistors and spacers.
For further information refer to Accessories datasheets.