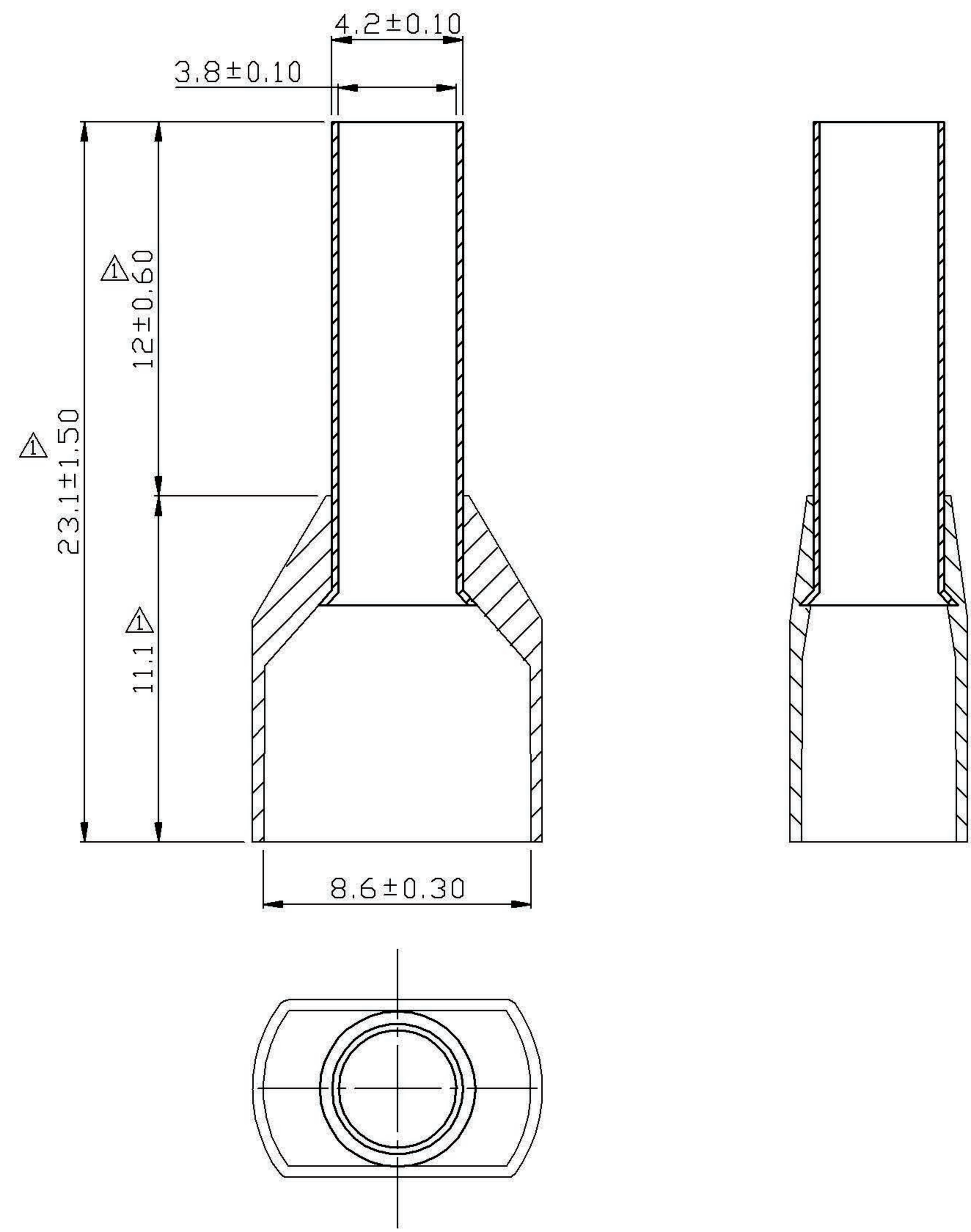


REV	DESCRIPTION	DATE
-----	-------------	------

△ RDK-97163

張馨尹 2008/08/25



NOTE:

1. MAXIMUM ELECTRIC CURRENT : 

A.W.G.	12
AMP.	35
2. MAXIMUM ELECTRICAL RATING : 105°C 600 VOLTS MAX.
3. INSULATION MATERIAL : NYLON
4. INSULATION COLOR :  
 FRENCH COLOR : ORANGE  
 GERMAN COLOR : GREY  
 DIN COLOR : GREY
5. CONNECTOR MATERIAL : COPPER TUBE.
6. WIRE RANGE : 2\*12 A.W.G.( 2\*4 mm<sup>2</sup>)
7. CONNECTOR SURFACE TREATMENT : TIN PLATED



**Penzel**