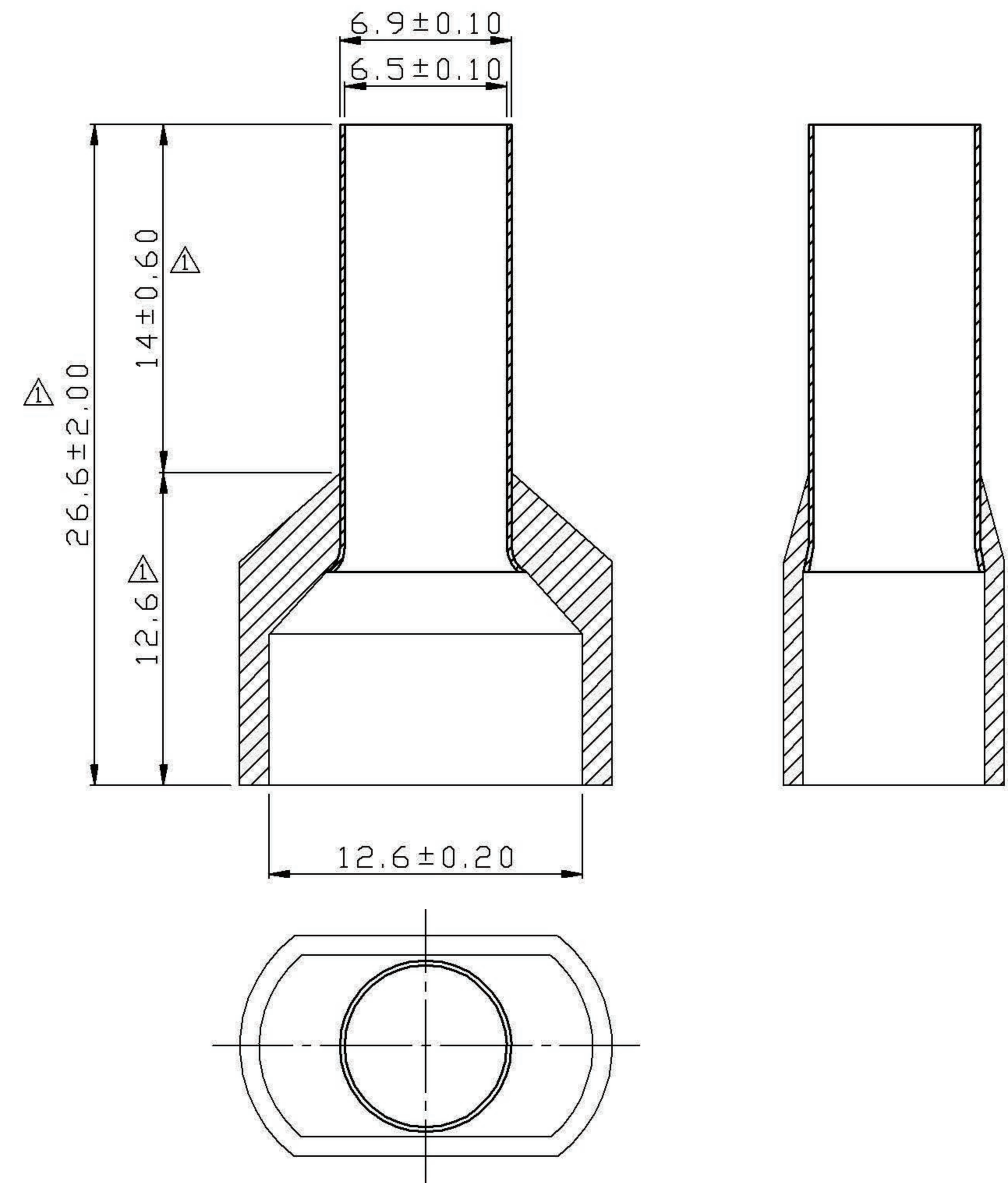


REV	DESCRIPTION	DATE
-----	-------------	------

△ RDK-97163

張馨尹 2008/08/25



NOTE:

1. MAXIMUM ELECTRIC CURRENT :

A.W.G.	8
AMP.	70
2. MAXIMUM ELECTRICAL RATING : 105°C 600 VOLTS MAX.
3. INSULATION MATERIAL : NYLON
4. INSULATION COLOR :
 FRENCH COLOR : BROWN
 GERMAN COLOR : IVORY
 DIN COLOR : RED
5. CONNECTOR MATERIAL : COPPER TUBE.
6. WIRE RANGE : 2*8 A.W.G.(2*10 mm²)
7. CONNECTOR SURFACE TREATMENT : TIN PLATED



Penzel