

NPH1 Pushbutton Box

1. General information

Electric ratings: AC50/60Hz, AC415V/DC250V;
Degree of protection: IP54/IP40
Standard: IEC/EN60947-5-1



2. Working & mounting conditions

- 2.1 Ambient temperature is $-5^{\circ}\text{C} \sim +40^{\circ}\text{C}$, the average temperature during 24 hours couldn't exceed $+35^{\circ}\text{C}$.
- 2.2 Altitude: $\leq 2000\text{m}$.
- 2.3 Atmosphere condition:
Relative humidity of the atmosphere couldn't exceed 50% when the highest temperature is $+40^{\circ}\text{C}$; much higher relative humidity is allowable under the condition of lower temperature, for example, when the temperature reaches $+20^{\circ}\text{C}$, the relative humidity is up to 90%. As for dews, which contingently appear due to change of temperature, special steps should be taken.
- 2.4 Pollution grade: 3
- 2.5 Installation category: II

3. Technical data

- 3.1 Conventional heating current I_{th}: 10A
- 3.2 Refer to table below, for ratings under different utilization categories.

AC-15	Rated operational voltage, V	415	240	120
	Rated operational current, V	1.9	3	6
DC-13	Rated operational voltage, V	250	125	-
	Rated operational current, V	0.27	0.55	-

Life

Electric life: Flush-headed and mushroom-headed type:
AC 5×10^5 operations, DC 2.5×10^5 operations;
other type: 1×10^5 operations;
Mechanical life: flush-headed and mushroom-headed type:
1 million operations,
button with light: 3×10^6 operations;
other type: 1×10^5 operations

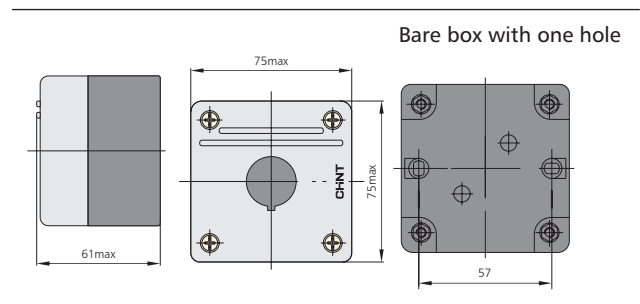
Rated operational voltage	Rated operational current
AC/DC 6V, 12V, 24V, 36V	$\leq 20\text{mA}$
AC 110V~220V	$\leq 20\text{mA}$

4. NPH1 Enclosure

Bare box with one hole

	Model	Specifications	
		Color	Protection degree
	NPH1-10J	Yellow	IP54
	NPH1-1J		IP40
	NPH1-10	Grey	IP54
	NPH1-1		IP40

Dimension (mm)



Bare box with two hole

	Model	Specifications	
		Color	Protection degree
	NPH1-20J	Yellow	IP54
	NPH1-2J		IP40
	NPH1-20	Grey	IP54
	NPH1-2		IP40

Bare box with three hole

	Model	Specifications	
		Color	Protection degree
	NPH1-30J	Yellow	IP54
	NPH1-3J		IP40
	NPH1-30	Grey	IP54
	NPH1-3		IP40