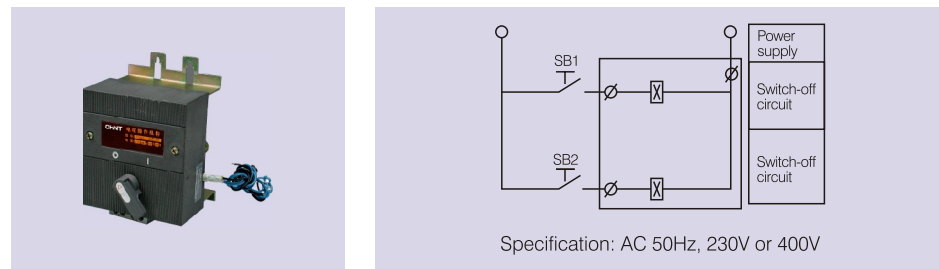


Outer accessories

Electromagnet operation mechanism (NM1-63, 100, 225)

Type	NM1-63, NM1-100, NM1-225
Model	
Structure form	Electromagnet
Code of AV voltage	A2, A4
Code of DC voltage	D1, D2

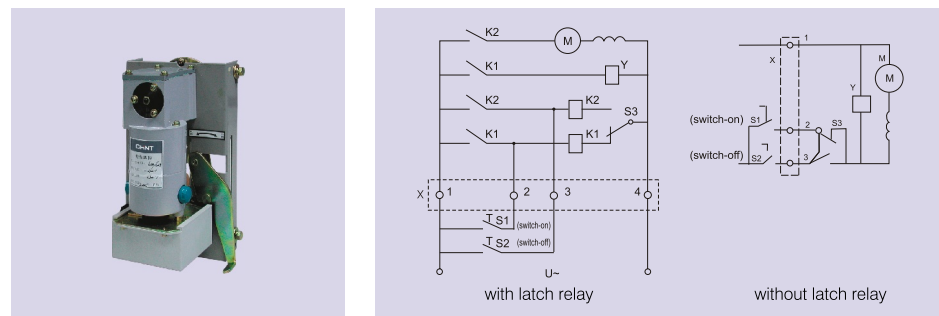
Open/close wiring diagram of electromagnet operation



Motor operation mechanism (NM1-400, 630)

Type	NM1-400, NM1-630
Model	
Structure form	Motor
Code of AV voltage	A2, A4
Code of DC voltage	D1, D2

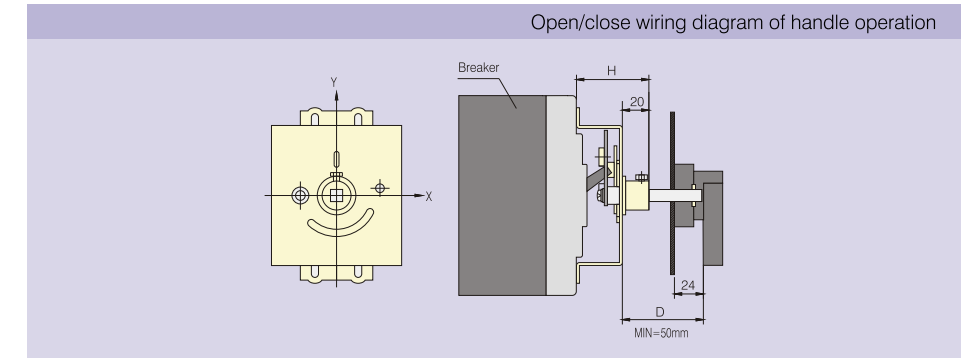
Open / close wiring diagram of motor operation



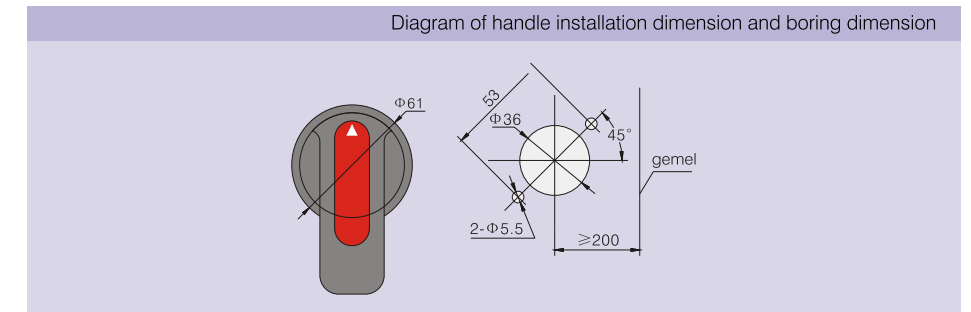
- S1, S2 operation button (prepared by user)
- X wiring terminal
- K1, K2 latchrelay S3 inching switch
- M special series motor Y brake electromagnet



Turning handle operation mechanism



Type	NM1-63	NM1-100	NM1-225	NM1-400S	NM1-400H NM1-400R	NM1-630S	NM1-630R NM1-800H NM1-800R
Installation size	49	54	54	84	76	83	76
Y value of the handle related to the center of the breaker	0	0	0	0	-10	0	-20



Mechanical interlocking

Type	A	B	C	D	E	F	L	Φd
NM1-63								
NM1-100	30	129	90	30	90	155	210	4.5×6*
NM1-225	35	126	100	30	100	165	240	5.5
NM1-400	44	194	172	20	62	257	330	7
NM1-630	58	200	175	48	62	270	412	7
NM1-800								

- Note: 1, * stands for hole length
- 2, install the breaker on the frame first, then install the mechanical interlocking on the breaker.

