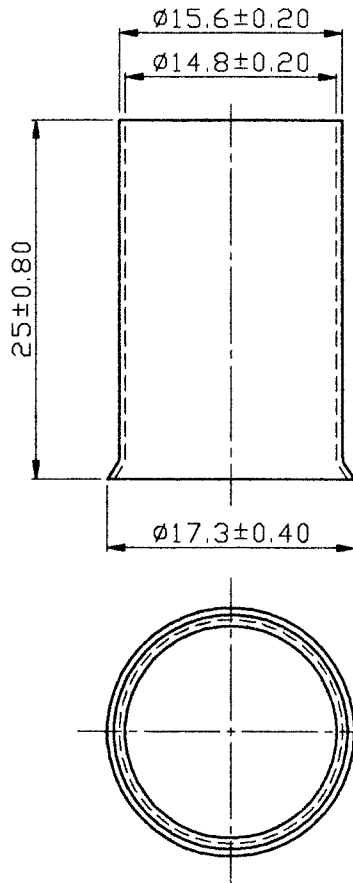


A B C D E F G H X

REV	DESCRIPTION	DATE
-----	-------------	------



NOTE :

1. MAXIMUM ELECTRIC CURRENT : 

A.W.G.	3/0		
AMP.	310		
2. WIRE RANGE : 3/0 A.W.G. ( 95 mm<sup>2</sup> )
3. SURFACE TREATMENT : TIN PLATED

Tolerance Unless Otherwise Specified	
0 > 6 mm ± 0.20	ANGLE
6 > 18 mm ± 0.30	0° REF ±
18 > 30 mm ± 0.40	±
30 > 75 mm ± 0.50	±

NAME	NON-INSULATED CORD END TERMINALS		UNIT	
PART NO.	EN95-25	MATERIAL	COPPER TUBE	APPROVE
NUMBER	KT-96154-C	SCALE	SHEET PAGE	CHECKED
DATE	2007/04/12	2/1	1-0 10F1	DRAWN 張馨尹

**KST. K.S. TERMINALS INC.**

A B C D E F G H X